



CB 840

LIST OF THE EXPLODED VIEWS



SHELL ASSY CB 840A / CB 840W

SHELL ASSY CB 840A DP

COOLING SYSTEM

HYDRAULIC CIRCUIT CB 840A / CB 840W

HYDRAULIC CIRCUIT CB 840A DP

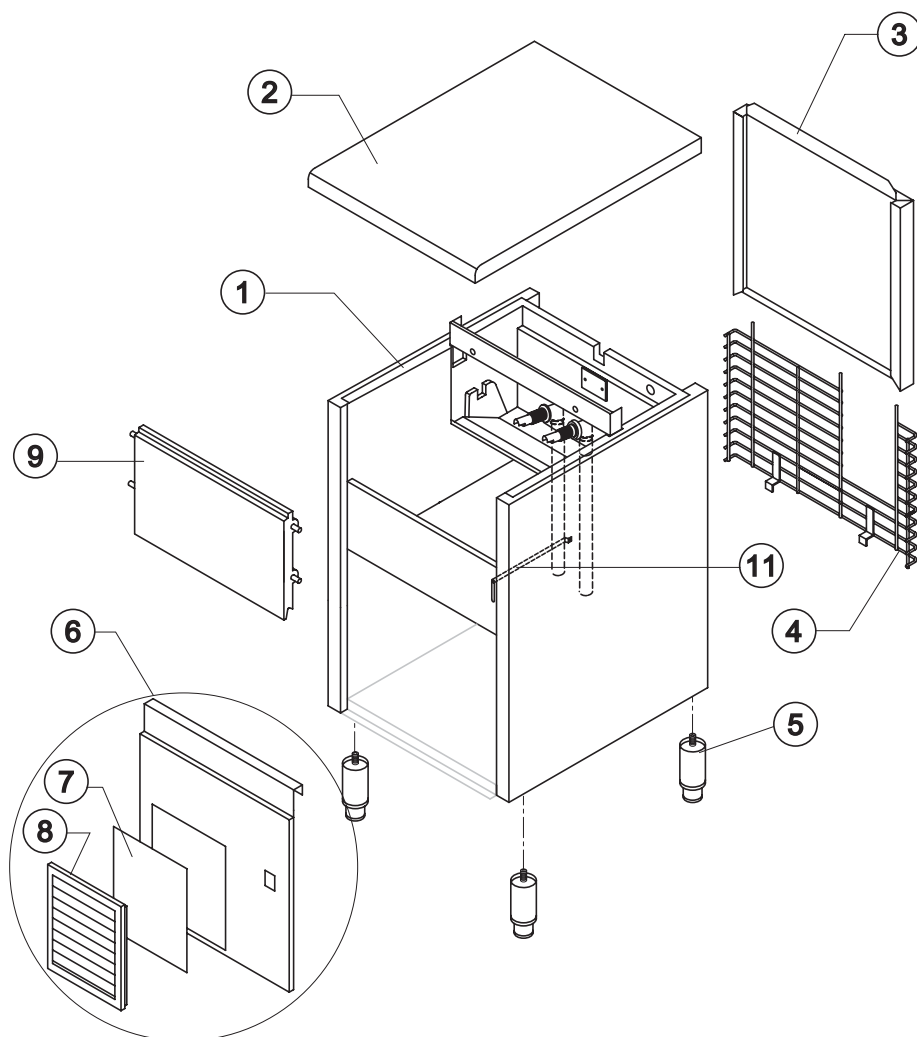
ELECTRIC PARTS



CB 840

SHELL ASSY

CB 840A / CB 840W



Ref.	Spare Description	Code
1	Foamed Cabinet Assy	See Table
2	Top Assembly	C22673
3	Rear Panel Assembly	C21184
4	Rear Grid	D12015
5	Adjustable Stainless Steel Foot	20613
6	Front Grid Panel	C22509
7*	Filtering Panel	18106
8	Frame + Grid & Filter	C10205
9	Door Assy	C10275
11	Bulb-holder Pipe	20521

Rev. 16 - 12/03/2019

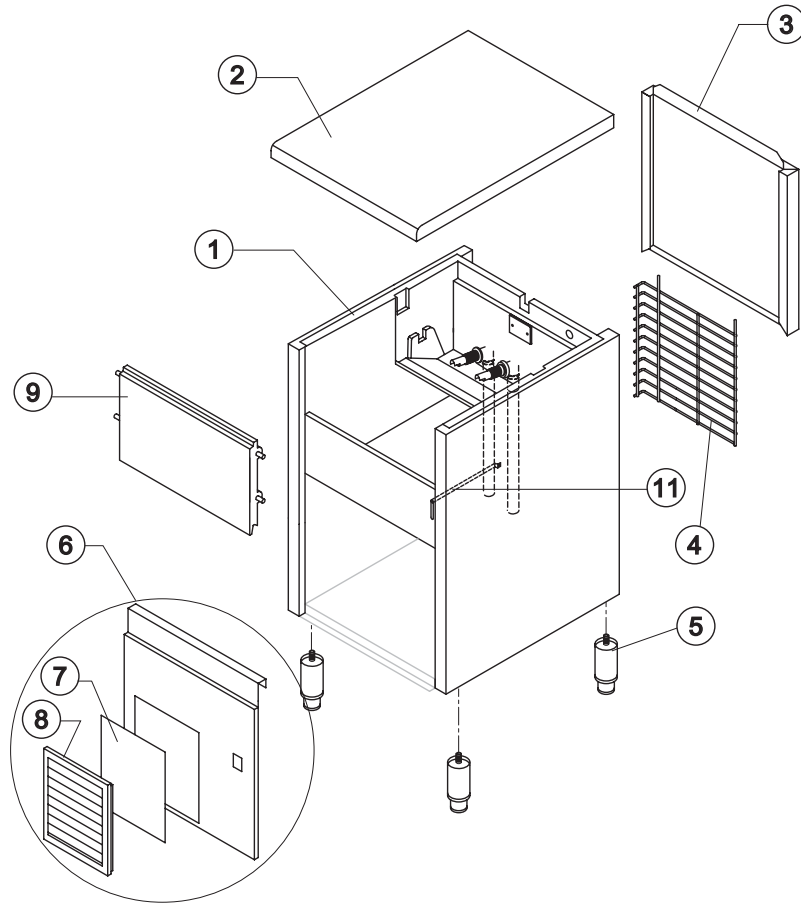
Ref. 1 - Foamed Cabinet Assy

Condensation	Code
Air	RC11009A
Water	RC11009W



CB 840

SHELL ASSY CB 840A / CB 840W



Ref.	Spare Description	Code
1	Foamed Cabinet Assy	C11009DP
2	Top Assembly	C22673
3	Rear Panel Assembly	C21184
4	Rear Grid	D12102
5	Adjustable Stainless Steel Foot	20613
6	Front Grid Panel	C22509
7*	Filtering Panel	18106
8	Frame + Grid & Filter	C10205
9	Door Assy	C10275
11	Bulb-holder Pipe	20521



CB 840

COOLING SYSTEM

CB 840A / CB 840W / CB 840A DP

Common Parts

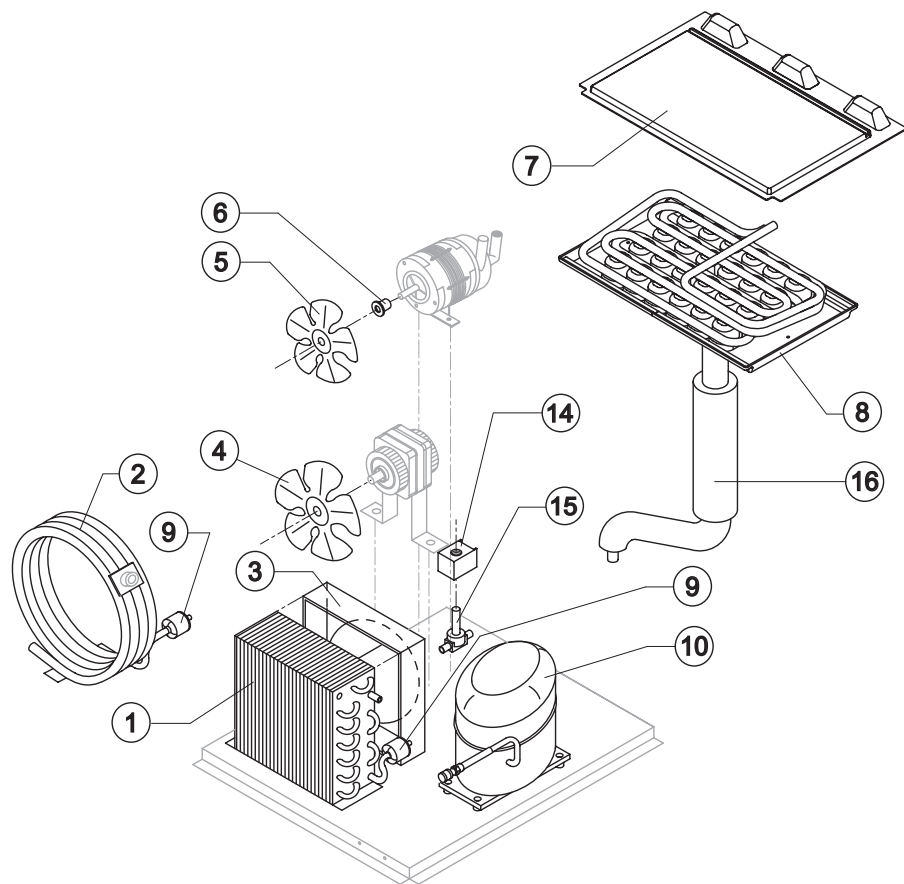
Ref.	Spare Description	Code
5	Sucking Fan	10213
6	Fan Fixing Hub	10014
7	Evaporator Cover Panel	10448
8	Evaporator	See Table
9*	Solid Core Drier	14089
10	Compressor	See Table
14*	Hot Gas Valve Coil	See Table
15*	Hot Gas Valve Body	20410
16	Suctin Line	for the spare parts code give us the s/n.

Parts for Air-Cooled Version Only

Ref.	Spare Description	Code
1	Air Condenser	20264
3	Air Condenser Conveyor	10163
4	Sucking Fan	20031

Parts for Water-Cooled Version Only

Ref.	Spare Description	Code
2	Water Condenser	14034



Ref. 8 - Evaporator

Kind of Cube	Code
18 g. (Standard)	D10047
33 g.	D10090
13 g.	D10418
42 g.	D10480

Ref. 10 - Compressor

Voltage	Code
220-240V ~ 50Hz	23875
220-230V ~ 60Hz	231307
110-115V ~ 60Hz	231155 current version
110-115V ~ 60Hz	23552 Till s/n. 712343

Ref. 14* - Hot Gas Valve Coil

Voltage	Code
220-240V ~ 50Hz	231294
220-230V ~ 60Hz	231294
110-115V ~ 60Hz	23256

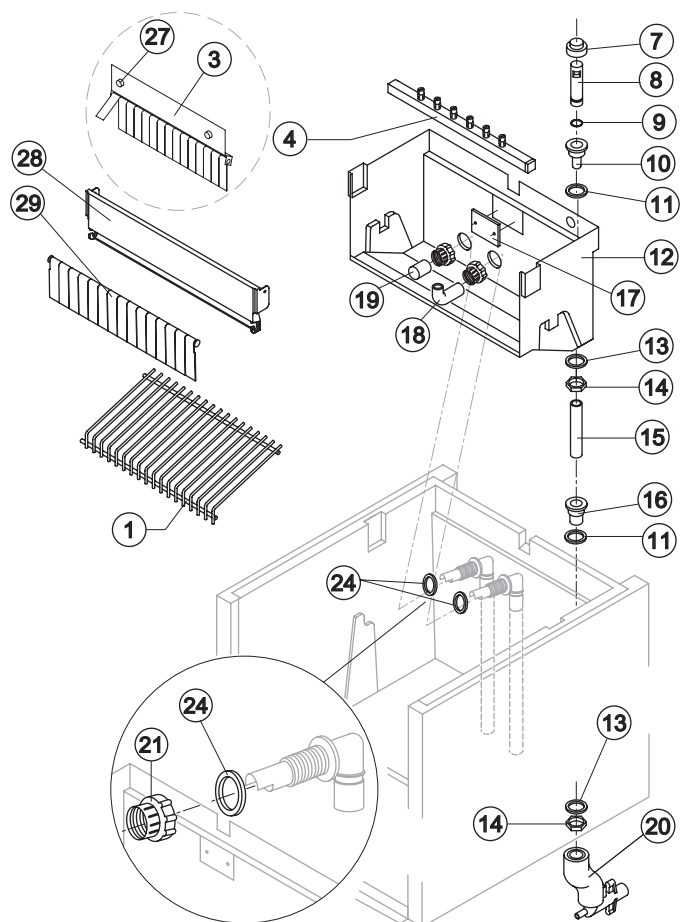
Rev. 16 - 12/03/2019



CB 840

HYDRAULIC CIRCUIT

CB 840A / CB 840W



Common Parts

Ref.	Spare Description	Code
1	Ice Cubes Slide	See Table
3	Flags Support Assy	Till s/n. 815644 C22059
4*	Sprayers Bar Assembly	See Table
7*	Overflow Cap	10305
8*	Overflow Pipe	10133
9*	OR Gasket for Overflow Pipe	20233
10	Overflow Pipe Nipple	10471
11	Gasket	13219
12	Inner Basin	10034
13	Semirigid Polyethylene Gasket	13007
14	Bin Discharge Nut	10096
15*	Overflow Pipe	13109
16	Water Outlet Nipple	10472
17	Slide Keep Plate	Till s/n. 227891 10009
18	Sprayers Feeding Pipe	13005
19*	Pump Suction Filter	20005
21	Fittings Locking Ring	10405
24	Gasket for Pump Suction/Delivery Pipes	13220
27	Fixing Screw	Till s/n. 815644 20009
28	Flags ABS Support	Current Version 10760
29	Rod with Flags	Current Version 10775

Parts for Air Cooled Version Only

Ref.	Spare Description	Code
20	Discharges Manifold	C10006

Parts for Water Cooled Version Only

Ref.	Spare Description	Code
20	Discharges Manifold	C26452

Ref. 1 - Ice Cube Slide

Kind of Cube	Code
18 g. (Standard)	D12017
33 g.	D12031
13 g.	D12039
42 g.	D12071

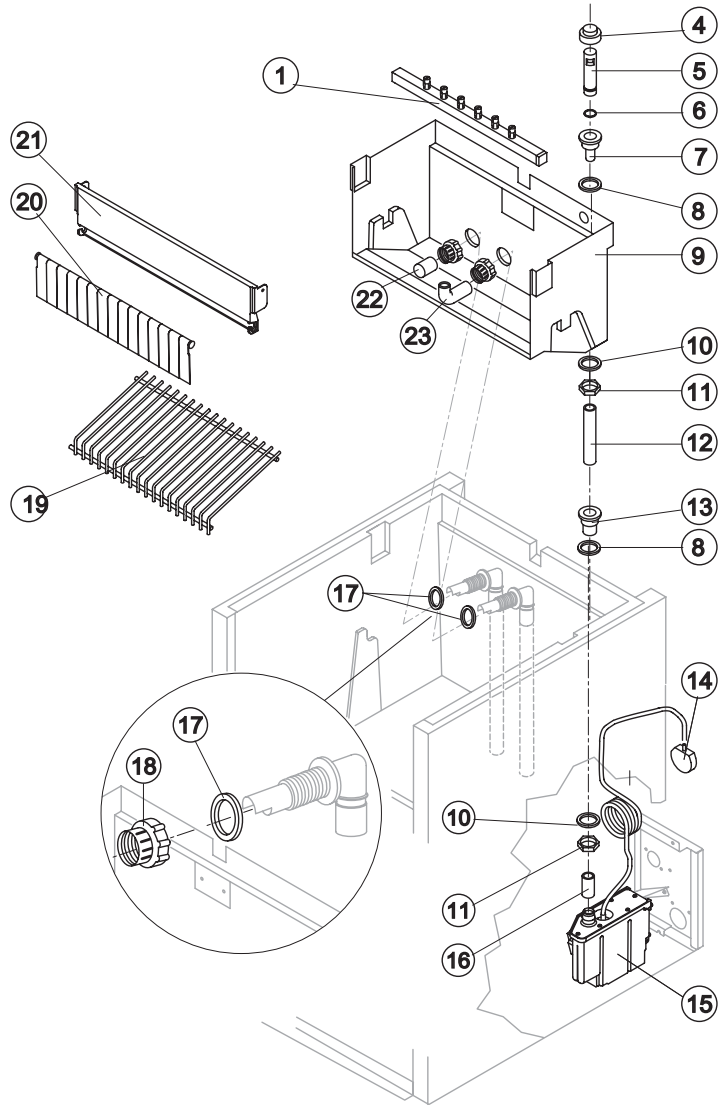
Ref. 4* - Sprayers Bar Ass.

Kind of Cube	Code
18 g. (Standard)	C20058
33 g.	C20156
13 g.	C20190
42 g.	C20802



CB 840

HYDRAULIC CIRCUIT CB 840A DP



Common Parts

Ref.	Spare Description	Code
1*	Sprayers Bar Assembly	See Table
4*	Overflow Cap	10305
5*	Overflow Pipe	10133
6*	OR Gasket for Overflow Pipe	20233
7	Overflow Pipe Nipple	10471
8	Gasket	13219
9	Inner Basin	10034
10	Semirigid Polyethylene Gasket	13007
11	Bin Discharge Nut	10096
12*	Overflow Pipe	13109
13	Water Outlet Nipple	10472
14	Drain Pump Pressure Switch	C231230
15	Drain Pump	RC231225
16	Bin Discharge-Drain Pump Connection	C13175190
17	Gasket for Pump Suction/Delivery Pipes	13220
18	Fittings Locking Ring	10405
19	Ice Cubes Slide	See Table
20	Rod with Flags	10775
21	Flags ABS Support	10760
22*	Pump Suction Filter	20005
23	Sprayers Feeding Pipe	13005

Ref. 1* - Sprayers Bar Ass.

Kind of Cube	Code
18 g. (Standard)	C20058
13 g.	C20190

Ref. 19 - Ice Cube Slide

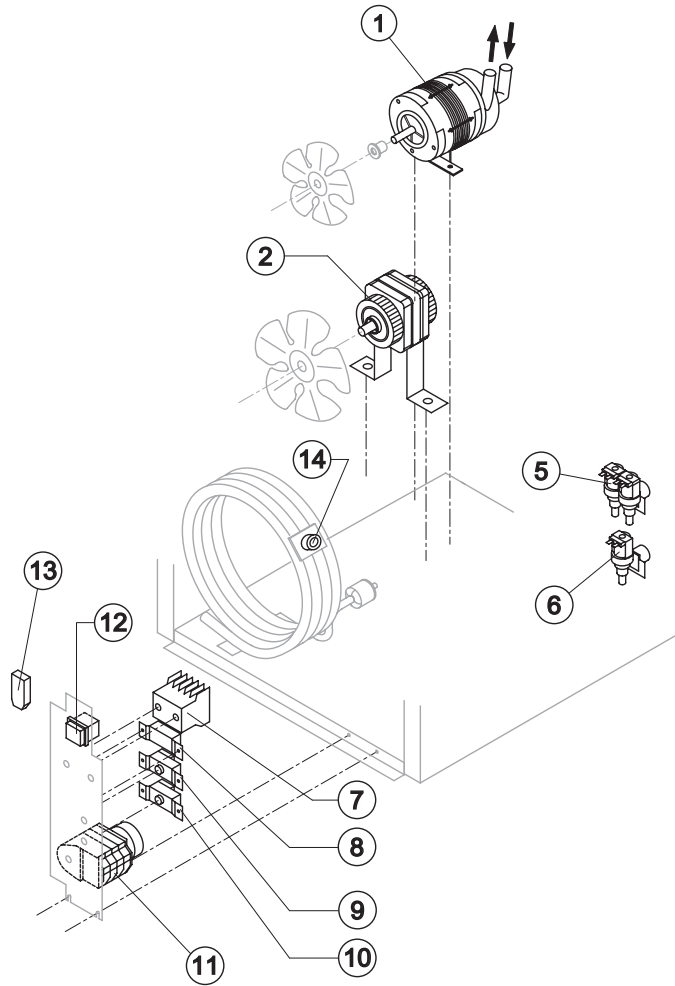
Kind of Cube	Code
18 g. (Standard)	D12017
13 g.	D12039



CB 840

ELECTRIC PARTS

CB 840A / CB 840W / CB 840A DP



Common Parts

Ref.	Spare Description	Code
1*	Pump Assy	See Table
7	Contactur	Only 110-115V ~ 60Hz 23595
8*	Condenser Pressure Switch	23175
9*	Bin Thermostat	R23005
10*	Evaporator Themostat	R23591
11*	Timer	See Table
12*	Green Light Switch (On-Off)	23327

Parts for Air-Cooled Version Only

Ref.	Spare Description	Code
2*	Fan Motor	See Table
6*	1 Way- Water Inlet Valve	See Table
13	Anti Radio Interference Filter	Only 220V/50-60Hz C23459

Parts for Water-Cooled Version Only

Ref.	Spare Description	Code
5*	2 Ways- Water Inlet Valve	See Table
13	Anti Radio Interference Filter	Only 220V/50-60Hz C23457
14*	Safety Thermostat	C23114

Ref. 1* - Pump Assy

Voltage	Code
220-240V ~ 50Hz	RC23377
220-230V ~ 60Hz	RC23377
110-115V ~ 60Hz	RC23663

Ref. 2* - Fan motor

Voltage	Code
220-240V ~ 50Hz	23067
220-230V ~ 60Hz	23681
110-115V ~ 60Hz	23621

Ref. 5* - 2 Ways- Water inlet valve

Voltage	Cube 18g/13g	Cube 33g	Cube 42g
220-240V ~ 50Hz	23010	23010	23781
220-230V ~ 60Hz	23010	23781	23781
110-115V ~ 60Hz	23261	23261	23758

Ref. 6* - 1 Way - Water Inlet valve

Voltage	Cube 18g/13g	Cube 33g	Cube 42g
220-240V ~ 50Hz	23001	23001	23220
220-230V ~ 60Hz	23001	23220	23220
110-115V ~ 60Hz	23410	23260	23281

Ref. 11* - Timer

Voltage	18g Cube	33g Cube	13g Cube	42g Cube
220-240V ~ 50Hz	23222	23248	23247	23780
220-230V ~ 60Hz	231078	231080	231077	231080
110-115V ~ 60Hz	23833	23259	23258	23786

Rev. 16 - 12/03/2019